

NEW
Network Sensor
CV-374A, CV-374B

TOKYO SOKUSHIN CO., LTD.

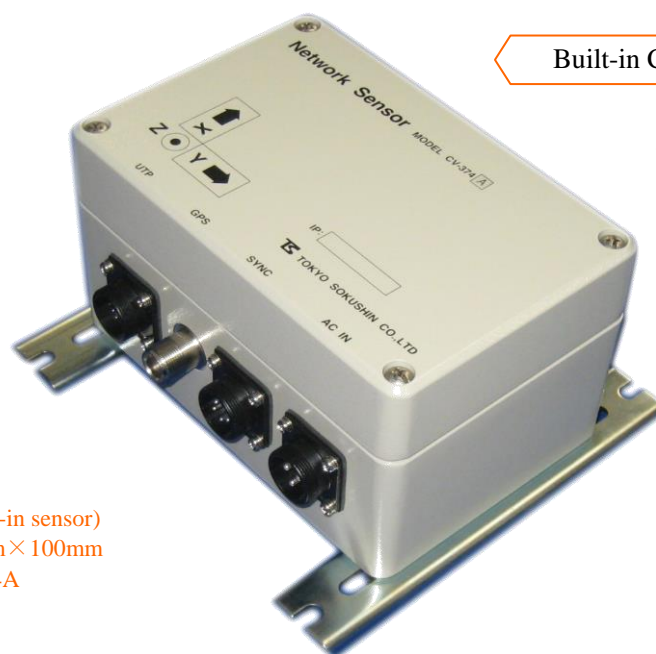
3-14-34, OUGI, ADACHI-KU.TOKYO.

TEL 03-3855-5911 FAX 03-3855-5921

URL <http://www.to-soku.co.jp>

Earthquake Observation and Health Monitoring

- All-in-one sensor recording large capacity waveform and LAN connection
- Observation of micro-tremor to strong motion by servo accelerometer
- Recording continuous data and trigger file in a CF card together
- Send seismic information such as maximum value, seismic intensity and predominant period, and waveform data
- Connect by single LAN cable including power and synchronization (CV-374B)



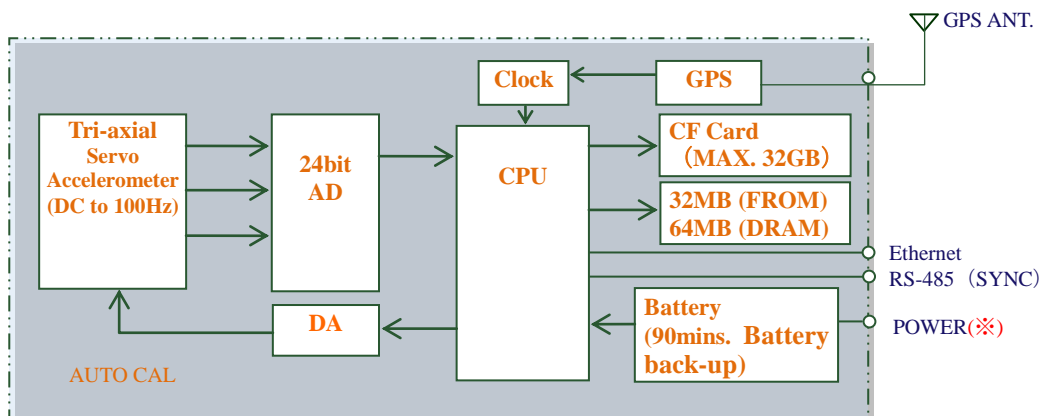
Built-in CF Card, GPS receiver

Continuous record

Dimension (built-in sensor)
 180mm×120mm×100mm
 * Photo. CV-374A

CV-374A : For general network line.
 (AC100V power supply is necessary to the main unit)

CV-374B : For exclusive network line by single LAN cable.
 (Power supply and various synchronizations from exclusive HUB)



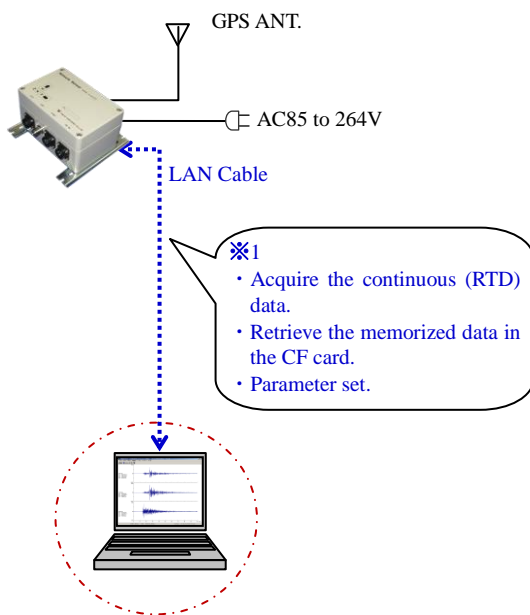
- (※) • CV-374A needs AC100V power supply.
- CV-374B is supplied from Exclusive HUB

Common Specifications CV-374A , CV-374B

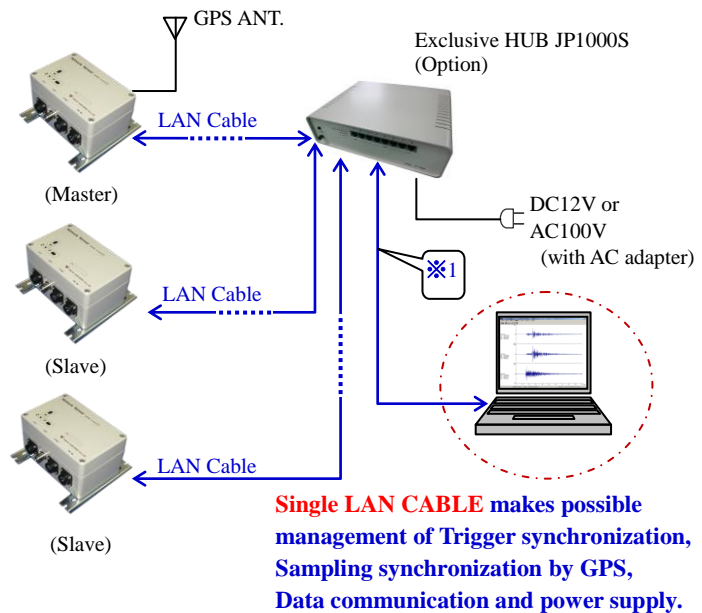
Analogue, A/D converter		Clock calibration	
Input	±4.0V, ±10.0V (Option)	Accuracy	< ±2.5ppm, -30°C to +75°C
Sampling	100, 200Hz	Clock synchronization	GPS or NTP server Slave unit can adjust by the transfer time code
AD converter	24bit	Clock accuracy	< ±0.62ppm(GPS)
Resolution	Less than 10mGalp-p (Sampling :100Hz / 2000Gal full scale)	Clock function	Year to Seconds Daily 0.1 second (no GPS, NTP)
Sensor (option: external sensor)		Master/Slave function	
Type	Servo Accelerometer	Time code	Hour, minute, seconds mark
Component	Tri-axial	Port	RS-485, Max. transmission 1km
Full scale	±2000Gal	Data interlock	Trigger data start / stop
Bandwidth	DC to 100Hz	Synchronization accuracy	Synchronized within 1msec. (When using exclusive HUB)
Calibration		Communication	
Frequency	1Hz	Ethernet	10base-T or 100base-TX (automatic change)
Waveform	Sine Wave (100Gal)	Port	1 port
Data record		Protocol	telnet, ftp, TCP/IP socket
Trigger level	0.5 to 100Gal (0.1Gal step)	Power supply	
Trigger logic	OR, AND, 2AND	Input	AC100V (85 to 264V) / CV-374A Exclusive HUB / CV-374B
Pre trigger	1 to 300 sec.	Power consumption	Max.3.6VA (GPS)
Post trigger	10 to 300 sec.	Internal battery	Lithium battery 6.8V, 0.9A
Trigger data	Approx.160 hours (1 to 10 min./File)	Battery backup	Approx. 90 min.
Continuous data	Approx. 480 days (10 min./File) (CF MEMORY 32GB)	Environment	
Overwrite format	Delete the old data, overwrite the new data	Temperature	0°C to +50°C
Media	CF card, Max. 32GB FAT32 format	Proof	IP65
Wave format	WIN32 compliance	Dimension and Weight	
		Case	Cast Aluminum
		Dimension	180mm (W) × 120mm (D) × 100mm (H)
		Weight	Approx. 1.5kg
		Connector	Water-proof connector

Example of Use

Single point (CV-374A)



Multi point (CV-374B)



The specification may change without notification because of the proved product.

TOKYO SOKUSHIN CO., LTD.

3-14-34, OUGI, ADACHI-KU.TOKYO.
TEL 03-3855-5911 FAX 03-3855-5921
URL <http://www.to-soku.co.jp>

Dated: Jan 2015