

Strong Motion Recorder

<http://www.to-soku.co.jp>



TOKYO SOKUSHIN CO., LTD.

CV-375



TOKYO SOKUSHIN CO., LTD.

3-14-34, OUGI, ADACHI-KU,
TOKYO 123-0783
TEL 03-3855-5911 FAX 03-3855-5921

3 2 GB (Max.) C F

- Simultaneous observation of continuous recording (approx. 180 days) and event recording (approx. 50 days)(※1)

2 4 bit AD convert + G P S synchronization

- High-resolution recording synchronized to absolute time

Record 3 axis× 2 lines

- Settable recording for 3 axis or 6 axis

L A N interface

- FTP server-based, support for NTP time synchronization

Real time and stream output

- Display wavedata to PC in real time/
Prepare recording application (option)

Seismic intensity information

- Output earthquake intensity and seismic intensity scale (JMA based)

Battery backup

- Internal backup battery for approx. 1.5 hours

Waterproof case

- Use waterproof aluminum die-cast case meeting for IP67

CV-375A

Internal accelerometer (3-Axis)+external input 3 axis

CV-375R

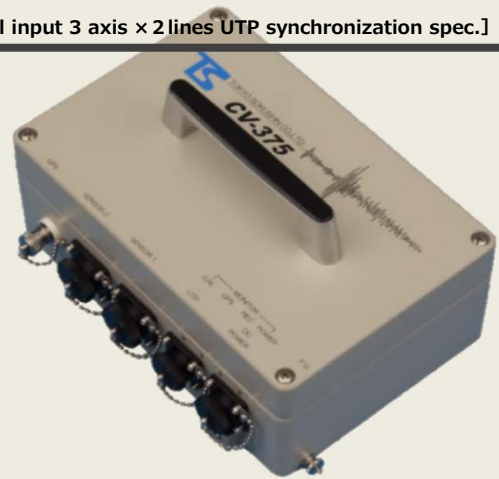
External input 3 axis × 2 lines

CV-375B

Internal accelerometer (3-Axis)+external input 3 axis [UTP synchronization spec.]

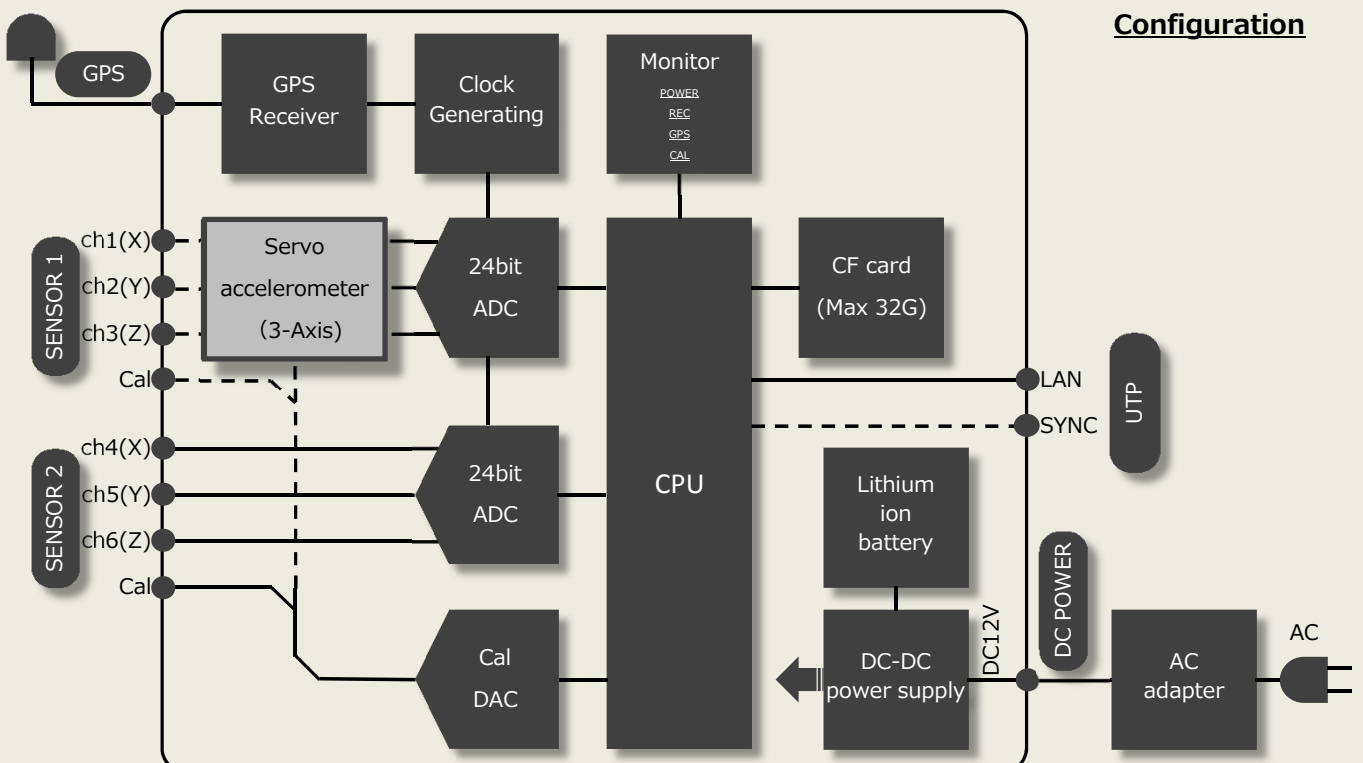
CV-375BR

External input 3 axis × 2 lines UTP synchronization spec.]



(※1)Record for 100Hz sampling/6 axis

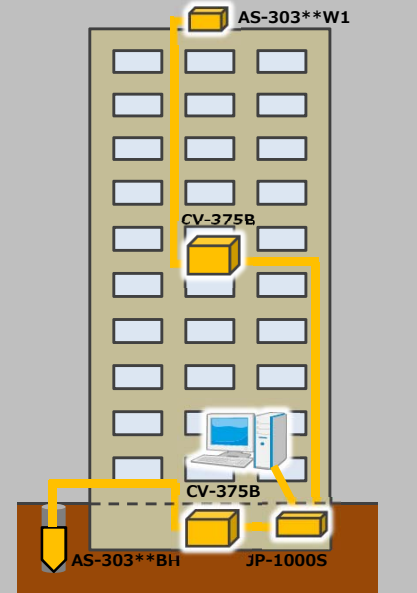
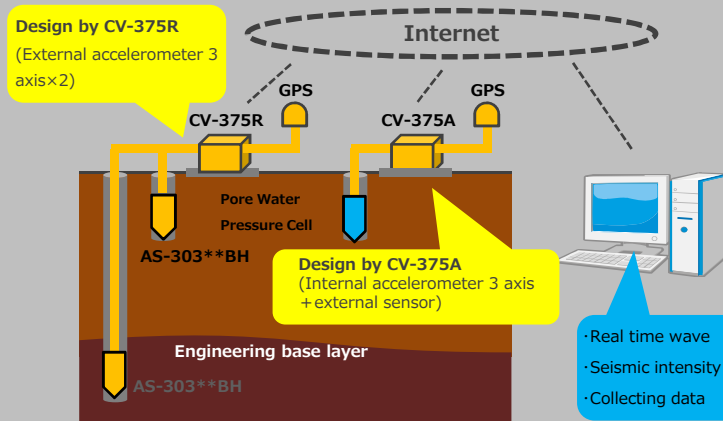
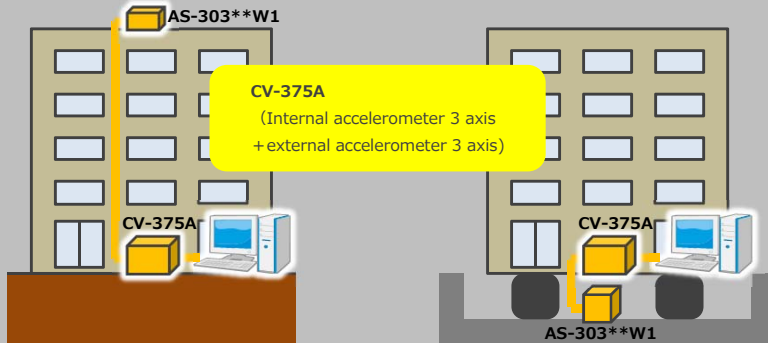
Configuration



Specification

Internal accelerometer (Servo accelerometer)		Clock calibration		
Mesuring axis	2 horizontal axis + 1 vertical axis	Clock	Year-second (auto calendar)	
Mesuring range	±2000Gal,DC-250Hz(-3db)	Clock synchronization	GPS synchronization or NTP calibration	
Dynamic range	135dB(rms)	Accuracy	<0.5ppm(GPS sync.), less than daily 0.1 second(no GPS)	
Linearity	0.03%(@full scale)	Interlocking section(adapted to CV-375B/BR)		
Lateral sensitivity	0.03G/G(@10Hz)	Synchronized observation	Max. 7 units(exclusive HUB : JP-1000S option)	
Input		Synchronized signal	Year-second	
Input component	Internal accelerometer 3 axis+External 3 axis(CV-375A/B)	Accuracy	Less than 0.2ppm to master unit	
	External 3 axis×2(CV-375R/BR)	Extension	Max. 100m from exclusive HUB as basic point	
Input range	±10V differential input	Interlocking record	Event trigger, scheduled record, manual trigger	
AD converter	ΔΣ24 bit	LAN interface		
	Dynamic range	126dB(rms.@100Hz)	Standard	10BASE-T/100BASE-TX
	Sampling frequency	100,200,500,1KHz	Protocol	FTP, TCP/IP socket, Telnet
	Filter (-3dB)	Sampling frequency×0.413	Power supply	
	Filter characteristics	Minimum phase	Rated voltage	DC12V(10-24V), AC adapter attached
Calibration		Power consumption	Max. 3.6W	
Internal sensor	1Hz, sin wave, equivalent to ±100Gal (Internal sensor and AS series)	Internal battery	Lithium ion battery, rated 6.8V, 14Wh	
Data record			Running for more than 1.5 hours	
Event trigger	Level trigger or STA/LTAtrigger		Environment	
	Level trigger	0.1-100Gal	Operation Temperature	0-50°C
	STA/LTAtrigger	0.1-10 sec.(STA), 2-120 sec.(LTA)	Waterproof	IP67
	Trigger logic	or, 2and, and	Dimension	
	Pre-trigger	0-60 sec.	Dimension	240(W)×160(D)×100mm(H), not including for projection
	Post-trigger	10-120 sec.	Weight	Less than 2.3kg
	Length of record time	1-10minute, flexible length	Accessory	
	Total record time	Approx. 50 days(*1)	AC adapter(2m+2m), exclusive LAN cable(1.5m), parameter setting software(CD)	
Continuous data	Length of record time	10, 20, or 30 minutes	Option	
	Total record time	Approx. 180 days(*1)	Excl. HUB:JP-1000S (for CV-375B/BR)	Excl. port for CV-375(Distribute pwr. supply & synchro. signal)×6 LAN port for PC×1
Scheduled record(*2)	No. of registration	10 schedules	CompactFlash	Max. 32G byte
	Length of record time	1-60 minutes	GPS	GPS antenna, arrester,coaxial cable
Media	CompactFlash×1 slot, max. 32G byte	PC application (for Windows)	Display/record in real time (RTDS) Parameter setting/Collecting data (TS-Station) Display seismic intensity (CV master)	
(*1)Condition:sampling 100Hz, record for 6axis, 32G byte CF equipped				
(*2)Stored in event trigger area				

Example of observation



We have other catalogs for Accelerometer AS-303 series. Please refer to our homepage.

The specification or appearance may change without notification because of the proved product.



TOKYO SOKUSHIN CO., LTD.

3-14-34, OUGI, ADACHI-KU.TOKYO
TEL 03-3855-5911 FAX 03-3855-5921
URL <http://www.to-soku.jp>